



**\*\*We do not recommend the use of roof top tents with these roof bars\*\***



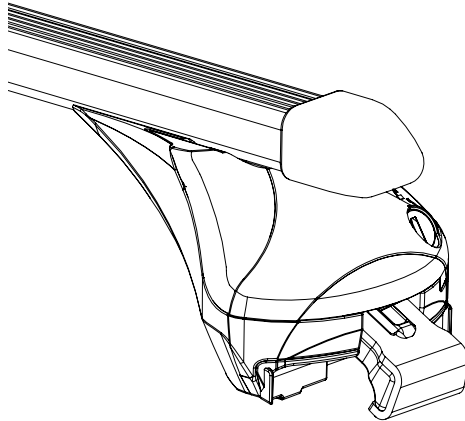
CITY CRASH TEST  
ISO PAS 11154

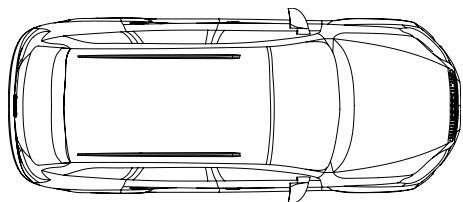
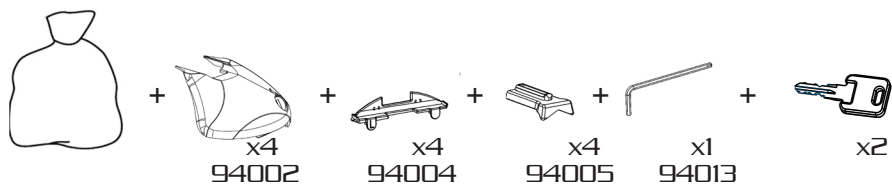


MAX 100 KG

**SUP-857C - SUP-957C**

SUP-857D - Is supplied with 2 locks  
SUP-957D - Is supplied with 4 locks



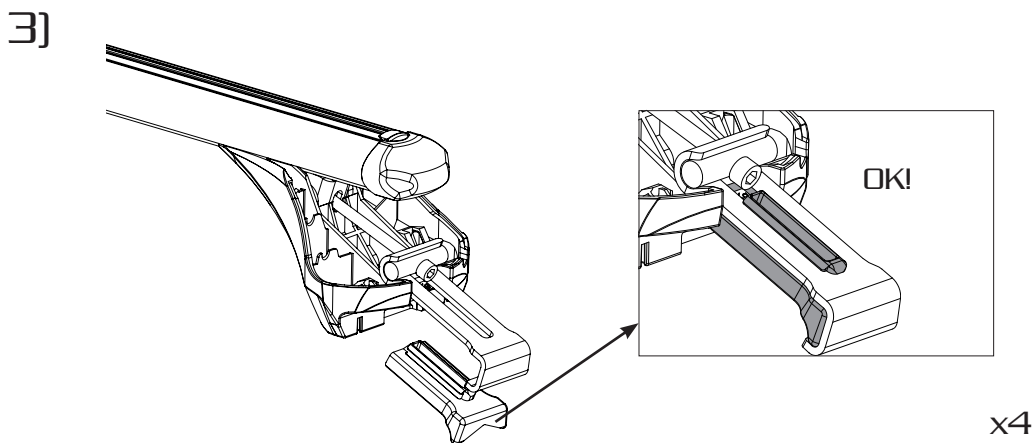
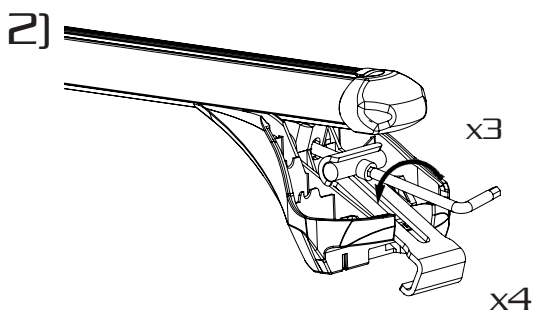
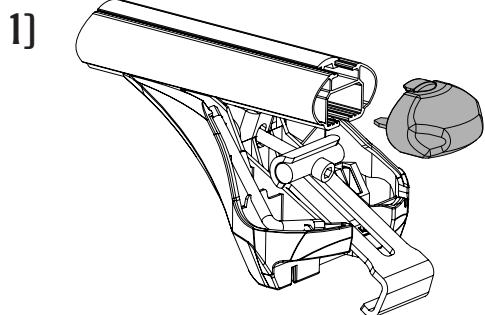
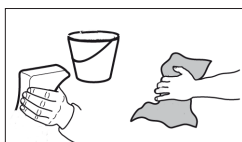



EN: Clean the rails before installation

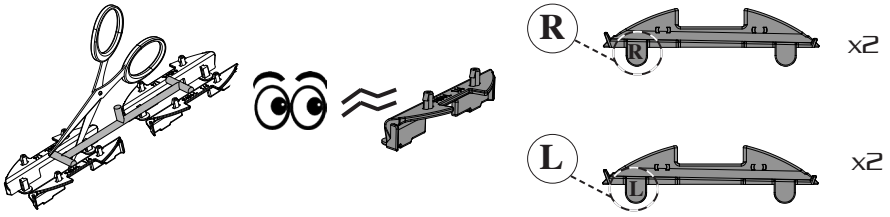
F : Nettoyez les rails avant l'installation

IT: Pulire i mancorrenti prima dell'installazione.

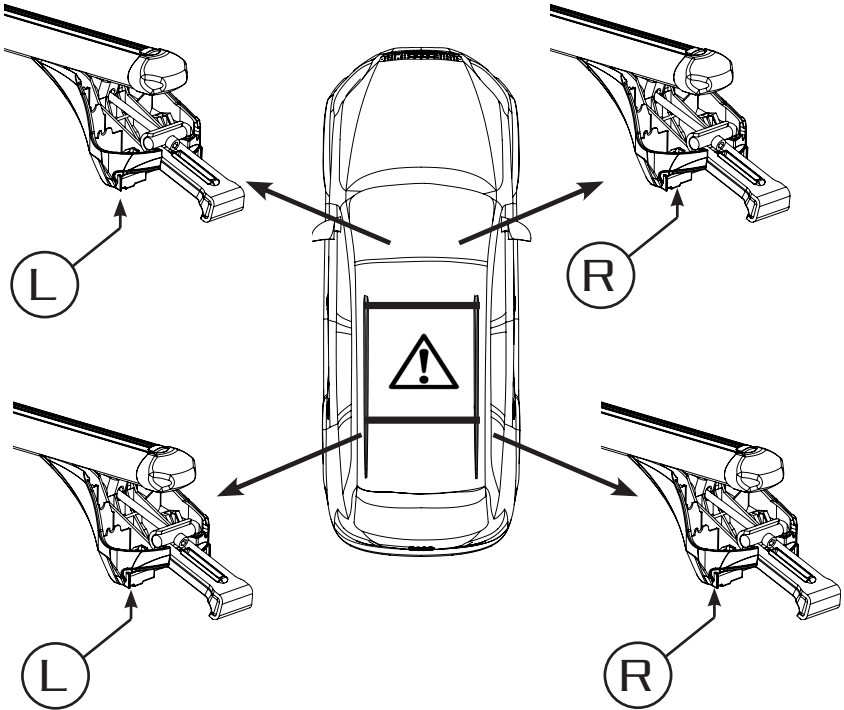
D: Vor der Montage die Reling reinigen



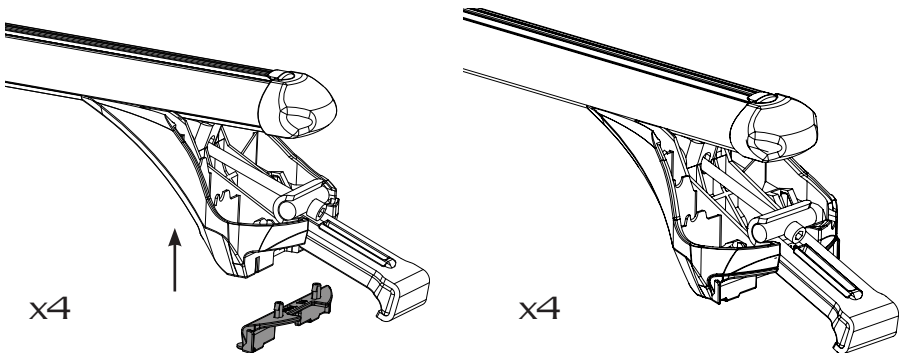
4)



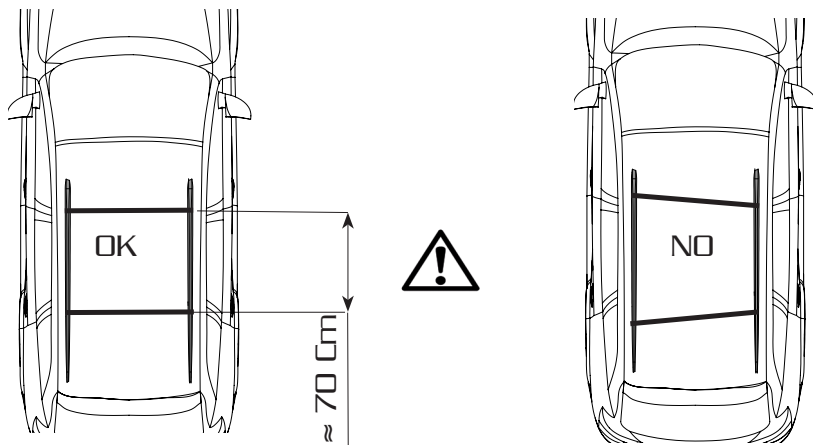
5)



6)

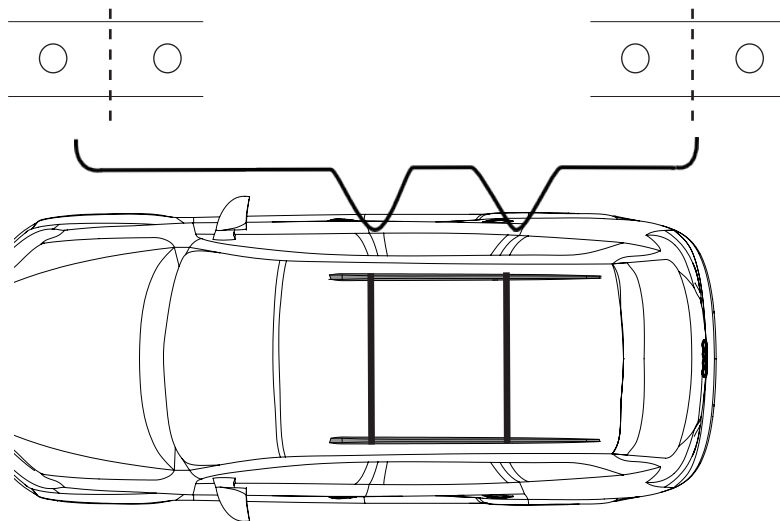


7\_A]



7\_B]

EN: Vehicles with fix point F : Voiture avec prédisposition d'origine  
IT: Vetture con punti di fissaggio - D: Fahrzeuge mit Original-Befestigungspunkten



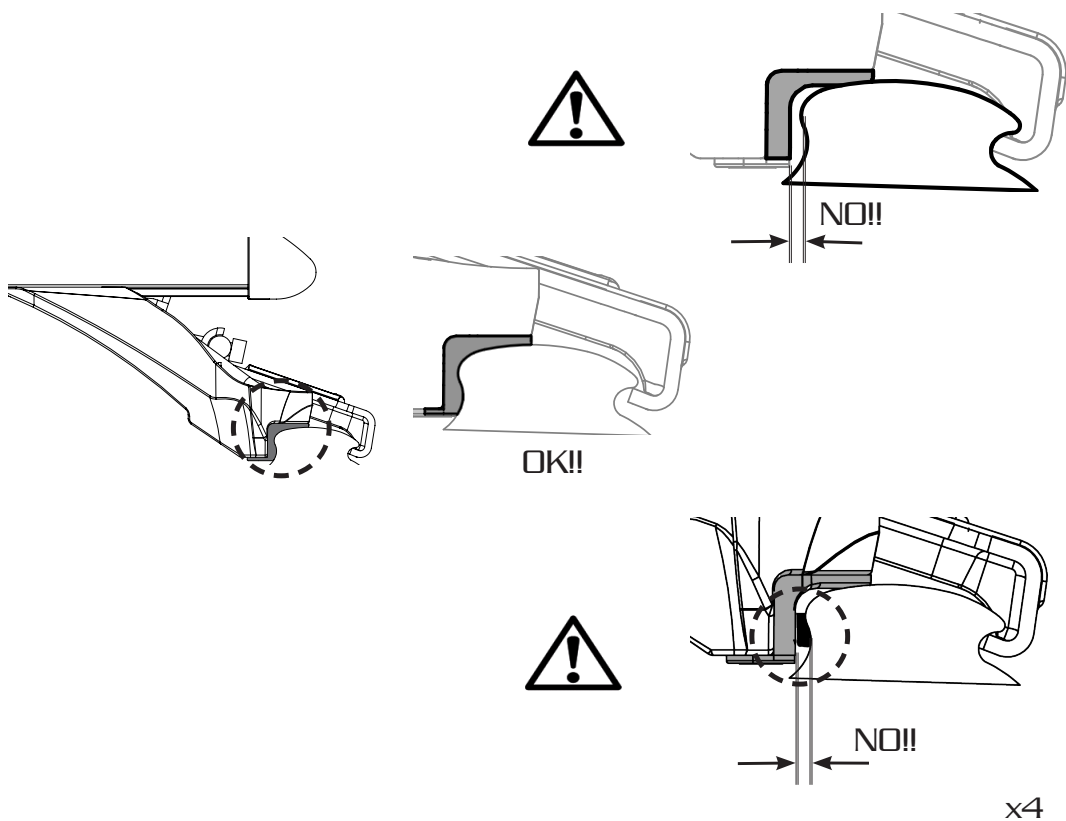
EN: If the vehicle is equipped with original fix points, place the bars in the middle of them

F : Si le véhicule est équipé avec points de fixation d'origine, placer les barres de toit en correspondance d'entre eux

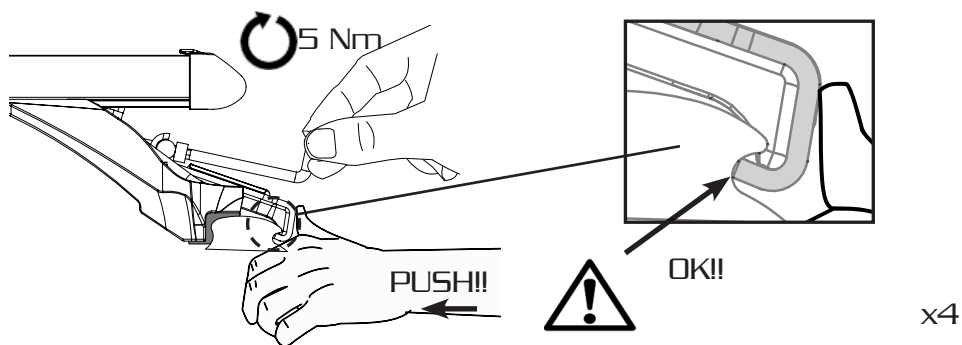
IT: Se il veicolo è provvisto di predisposizioni, posizionare le barre al centro di esse.

D: Bei Fahrzeugen mit Original-Befestigungspunkten müssen die Stangen in der Mitte der Befestigungspunkte montiert werden.

8)



9)

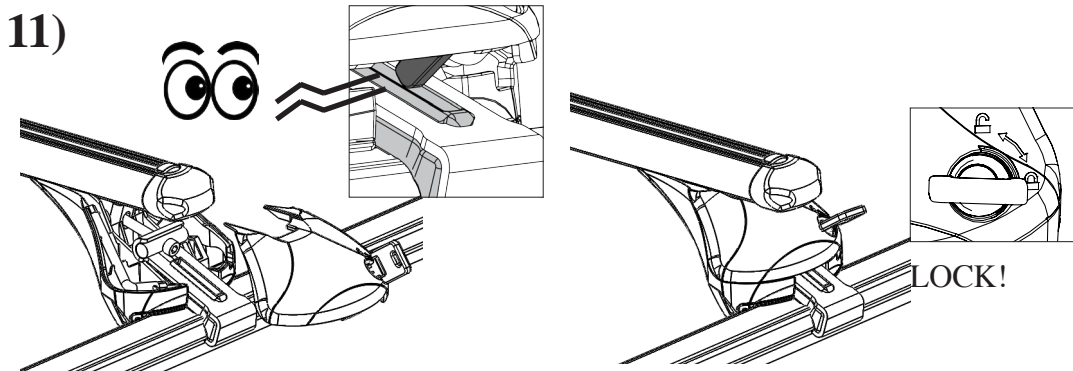
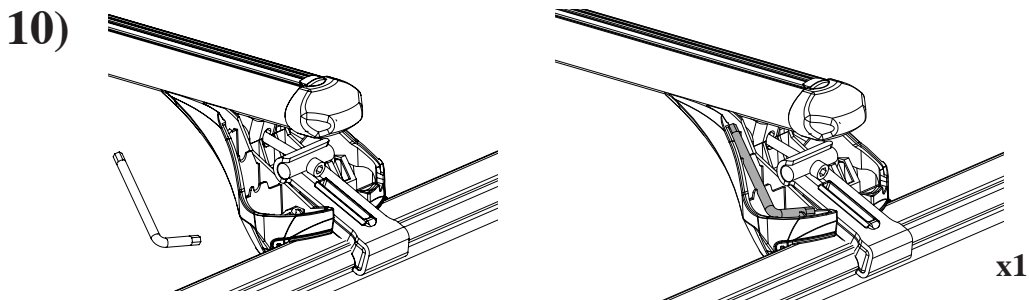


EN: Tighten your feet alternately on each side of the bar  
FR: Serrer alternativement les pieds de chaque coté de la barre.

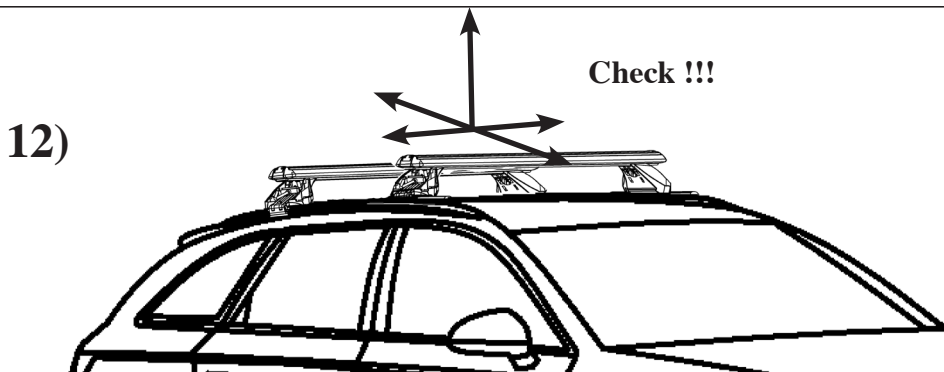
IT: Serrare i piedi in modo alternato ad ogni lato della barra

ES: Apriete alternativamente los pies a cada lado de la barra.

DE: Die Schrauben abwechselnd anziehen



Steel bars 2 lock + 2 Plastic Lock ; Aluminium bars 4 lock  
 Barres Acier 2 Serrature + 2 serrature in plastica ; Barres Aluminium 4 serrature  
 Barre Acciaio 2 Serrature + 2 serrature in plastica ; Barre Alluminio 4 serrature  
 Stahlstange mit 2 schlösser ; Alustangen mit 4 schlösser



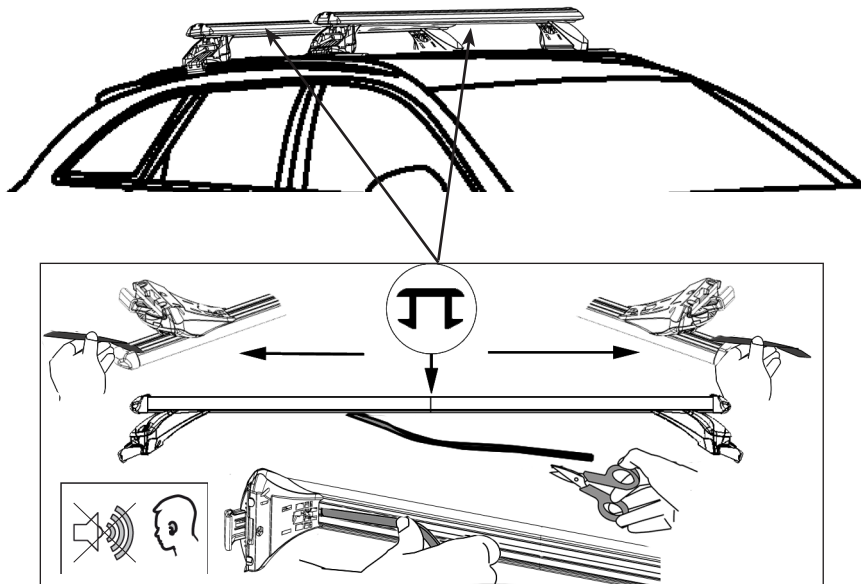
ES :Antes de iniciar el trayecto, verificar que las barras y la carga esten bien sujetas, si fuera necesario, repetir el montaje o comprobarlo en un distribuidor autorizado. EN: Before starting, ALWAYS check that bars and cargo are correctly tightened, if necessary, repeat assembly or check it with an authorized dealer.

F: Avant de partir, vérifiez TOUJOURS que les barres et la marchandise transportée soient bien fixées. , si nécessaire refaire le montage ou le vérifier un revendeur autorisé.

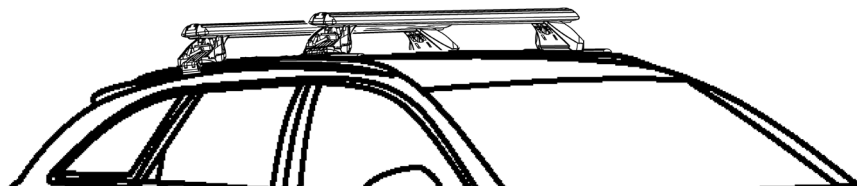
IT : Prima di mettersi in viaggio, verificare SEMPRE la tenuta delle barre e il corretto fissaggio del carico trasportato, se necessario ripetere il montaggio o recarsi da un rivenditore autorizzato.

D: Vor der Abfahrt muss die Befestigung der Stangen und der Ladung IMMER kontrolliert werden, falls nötig Montage wiederholen oder eine autorisierte Verkaufsstelle konsultieren.

13)



14)



- EN: Do not exceed maximum loading capacity given by roof bars. Do not exceed maximum loading capacity given by the vehicle manufacturer.
- F: Ne pas dépasser la charge maximale des barres. Ne pas dépasser la charge maximale indiquée par le constructeur du véhicule.
- IT: Non superare il carico massimo delle barre portatutto. Non superare il carico massimo indicato dal costruttore del veicolo.
- D: Maximal zugelassene Belastung des Lastenträgers nicht überschreiten. Maximal zugelassene Dach-Belastung laut Fahrzeugherstellerangaben nicht überschreiten.

## Installation Notes:

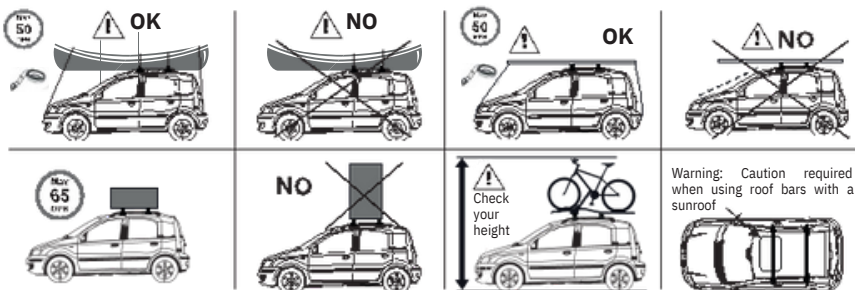
- Fit the roof bars according to the instructions only. Do not assemble or use this product unless you have understood the fitting instructions. Check with the instruction manual that all the necessary parts are included.
- Check and make sure that all fastening parts are fixed securely. Please check also that the load is fastened properly by pushing and pulling it. Recheck regularly.

- Please note that some antennas and sunroofs can interfere with the roof bars or accessory when installed and should not be used, if so.
- Follow the instructions thoroughly and do not jump ahead in the sequence (1,2,3, A,B,C... etc).

## Important Safety Notes:

- Please retain these instructions safely with your car owners manual, for future reference.
- The maximum permissible load evenly distributed over the full width of the bar with a low centre of gravity is 100kg (including the weight of the bars, 4kg). Check the vehicle handbook for fixing location for the roof bar and the maximum permitted load. The maximum permitted roof load must be the lowest quoted figure. And if the vehicle hand book states a maximum of less than 100kg then that is the maximum permissible load. Even if the vehicle handbook states a maximum of 120kg, the maximum permissible load for these roofbars is 100kg
- It is your responsibility to ensure that all loads are correctly and safely secured using suitable fixing methods (e.g. strong webbing straps with buckles). Where specialised accessories are available, they should be used (e.g. Cycle Carriers, Ski Holders, etc). If small heavy loads are being carried, load to one side of the bar, not the middle. Never attach loads to roof bars using bungee cords or elasticated straps.
- Before driving and at regular intervals during your journey, check that all securing screws, clamping devices and foot attachments are fully tightened, in accordance with these instructions. Additionally ensure the load is fastened correctly.
- After covering a short distance, all securing devices of both the load and the load carrier must be checked and tightened as required. This must be done at suitable intervals, depending on the nature of the road.
- To prevent damage or discolouration to the paint under the foot pack rubber, we recommend the cleaning of the load bar feet and the vehicle roof prior to fitment. The load bar should be removed at regular intervals to repeat this process.
- Neither the roof bars nor load must project beyond the maximum profile of the vehicle.
- Take care not to drive into low places such as garages or multi-storey car parks when carrying a high load, particularly cycles. Do not drive through an automatic car wash with the load carrier mounted on the vehicle. **When carrying long loads take care when opening the boot to not hit the boot lid onto the load.**

- Using the bars, especially when carrying a load, will affect the driving and braking characteristics of your car. Larger roof loads may also affect your car's sensitivity to cross winds. For safety reasons, the vehicle must not be driven at maximum speeds. Speed should be matched to the load being transported, to prevailing conditions including the state of the road, the quality of the road surface, the volume of traffic, etc., and of course any speed restrictions in force. Where there are no restrictions in force, we recommend a maximum speed of 65 mph, but the vehicle speed when transporting a load of any kind must be matched to the prevailing conditions.
  - Surfboards, boats and large flat objects may produce damaging aerodynamic forces to the vehicle, out of all proportion to their dead weight. We therefore recommend travelling at much reduced speed when carrying these articles. **Where two or more surfboards are carried (or similar items which may produce lifting forces) they should not be carried side by side, but should be stacked one upon the other. They should be secured independently to the front and rear of the vehicle using strap or methods which are capable of withstanding the lifting forces.**
  - **When carrying kayaks or canoes ensure that they are secured to the bars and also the front and rear of the vehicle in the upright position.**
  - The roof bars must be kept clean and properly maintained, particularly during the winter months when dirt and salt must be removed. Bolts, screws and nuts should be lubricated at suitable intervals, the periodic use of a spray lubricant will keep any lock barrels working freely.
  - Always fit the roof bars in accordance with these instructions. The spacing between the front and rear bars must never be less than 700 mm, except where the vehicle mountings determine the spacing.
- IMPORTANT:** This load carrier is especially designed for your car model. Please therefore check which type of load carrier is needed when changing your car. Do not use spare parts from other products. Do not put the car through an automatic car wash when the load carrier is mounted. The manufacturer takes no responsibility for damage caused by an incorrectly fitted load carrier.



Made in the EU

Mountney Ltd, MXL Centre, Lombard Way, Banbury, Oxfordshire, OX16 4TJ.

Visit us at: [www.mountneyltd.com](http://www.mountneyltd.com) [info@mountneyltd.com](mailto:info@mountneyltd.com)